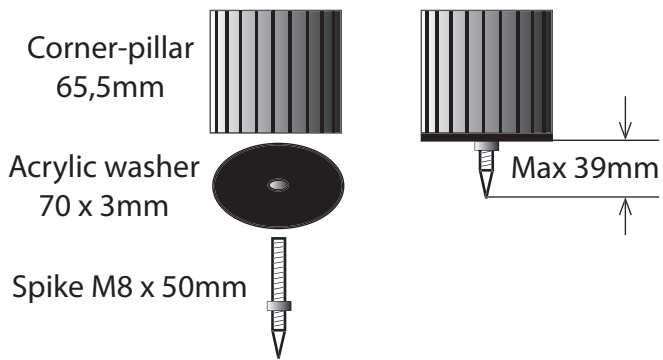
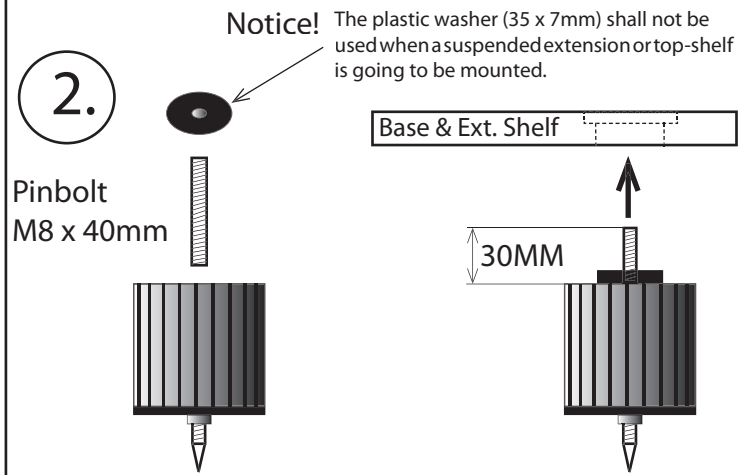


1.



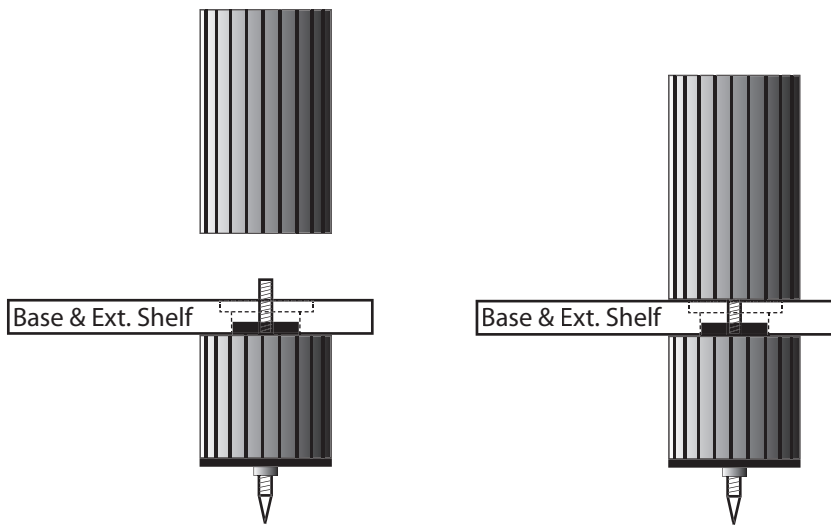
Do not forget to tear off the protection-foil from the acrylic washer.

2.



ATTENTION!!! Make sure that the upper side of the shelf is mounted upwards.

3.



Repeat step 2 & 3 for additional shelves.

4.

